



DC SPD

In the most basic sense, when a transient voltage occurs on the protected circuit, an DC SPD limits the transient voltage and diverts the current back to its source or ground.

To work, there must be at least one non-linear component of the DC SPD, which under different conditions transitions between a high and low impedance state.

At normal operating voltages, the DC SPDs are in a high-impedance state and do not affect the system. When a transient voltage occurs on the circuit, the DC SPD moves into a state of conduction (or low impedance) and diverts the surge current back to its source or ground. This limits or clamps the voltage to a safer level. After the transient is diverted, the DC SPD automatically resets back to its high-impedance state.

1.Product Introduction

DC SPD(Surge Protective Device)supplier, protect against lightning surge voltages in solar system (photovoltaic power supply system).

These units must be installed in parallel on the DC networks to be protected and provide common and different modes protection.

DC SPD installed location are recommended at both ends of the DC power supply line (solar panel side and inverter/converter side), ely if the line rounting is external and long.

High energy MOVs equipped with specific thermal disconnectors and related failure indicators.

2.Product Parameter (Specification)

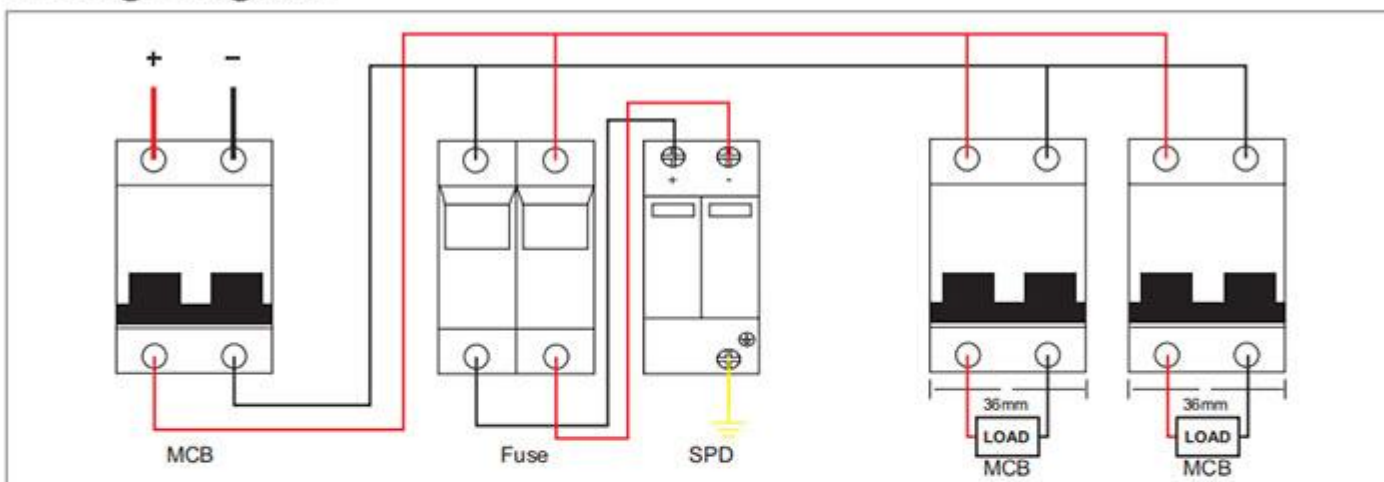
Model	DC SPD 2P 40KA 500V	
Pole	2P	2P
Uoc max (V DC)	500V	1000V
Uc (V DC)	500V	1000V
In(8/20)us(kA)	20	20
Imax(8/20)us(kA)	40	40
Up (kV)	2.5	3.2

Maximum working voltage	250VAC/30VDC
Maximum working current	1A(250VAC)
Wiring capacity	Hard wire:4--25
	Flexible wire:4--16
Striping length	10
Terminal screwa	M5

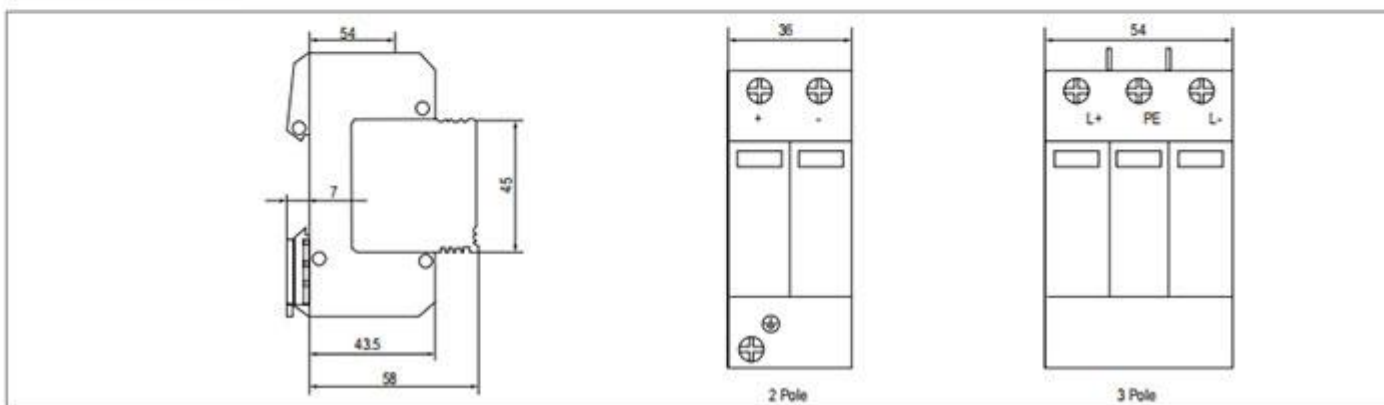
Torque(Nm)	Main circuit:3.5
	Remote singal control:0.25
Protection class	All profile:IP40
	Connection port:IP20
Installation environment	No obvious shock and cibration
Altitude	≤2000
Working Temperature	- 3.0---+70
Installation	installed with H35-7.5/DIN35 steel mounting rail

Type2 Solar DC Surge Protective Device (DC SPD)

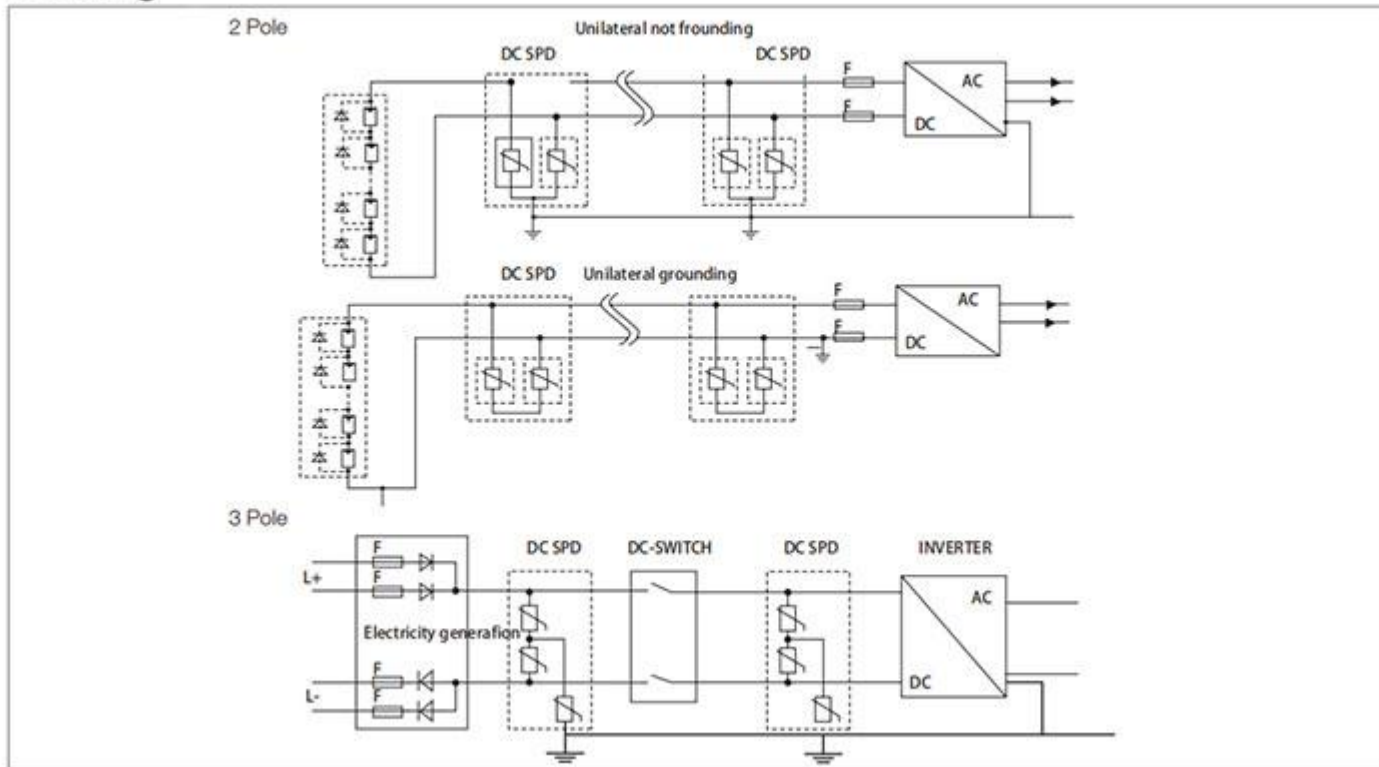
Wiring Diagram



Dimension



Drawing



3.FAQ

Q:When I can receive quotation and detail information after send the enquiry?

A: Reply will be sent in 24hours.

Q:What's the difference between you and other suppliers?

A:We have our own design box with PC/ABS material.

Q:Do you provide samples ? is it free or extra ?

A:Yes, we could offer the sample for free charge but do not pay the cost of freight.

Q:Can I get a sample for test before place order?

A:Of course!

Q:How's the delivery?Because I really need them is urgently?

A:Samples cost 2-3 days. Bulk order cost 12-15 days.

Q:If i want to release order, what's the payment method you accept ?

A:We accept T/T, Western union, Trade Assurance.

GHX[®]

www.ylongelec.com

Tel:+86-13858881592

Email:ceo@ylongelec.com